

954 BBT

SNOW PLOUGH

MODEL **KIT-LN**

Steel snow plough blade with rubber cutting edge A901, hydraulic lifting and manually controlled 15°/30° rotation.

Simple and fast installation on all undercarriages in the 954BBT range;

Applicable: to Dumper, Dumper with shovel, Minerva bodies and Farm bodies.



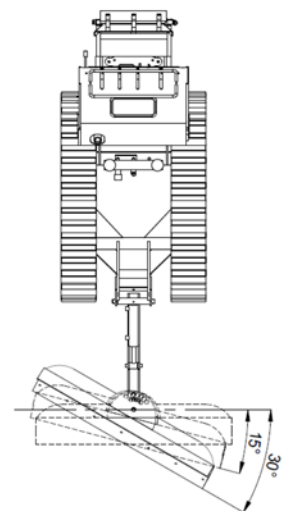
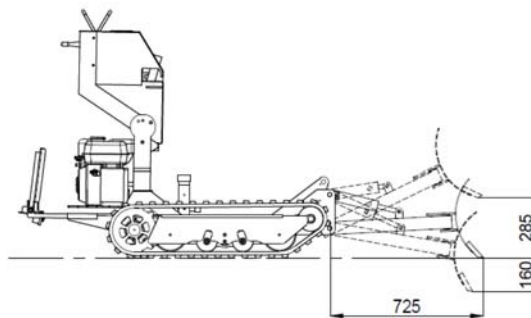
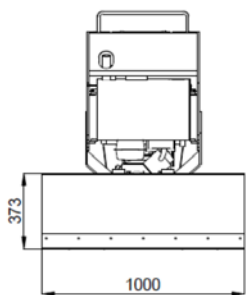
BLADE DIMENSIONS

Width	100 cm
Height	37.3 cm
Weight	32 kg

LIFTING - ROTATION

Lifting	Hydraulic
Rh/lh rotation	Manual
Rotation angle	0° - 15° - 30°

OVERALL DIMENSIONS AND WORKING POSITIONS



Abbati srl for 954BBT

Via Pasubio, 5/7 - Boretto (RE) Italy

Phone: +39.348.0178050 - +39.348.0178054

E-mail: info@954bbt.com

Web: www.954bbt.com